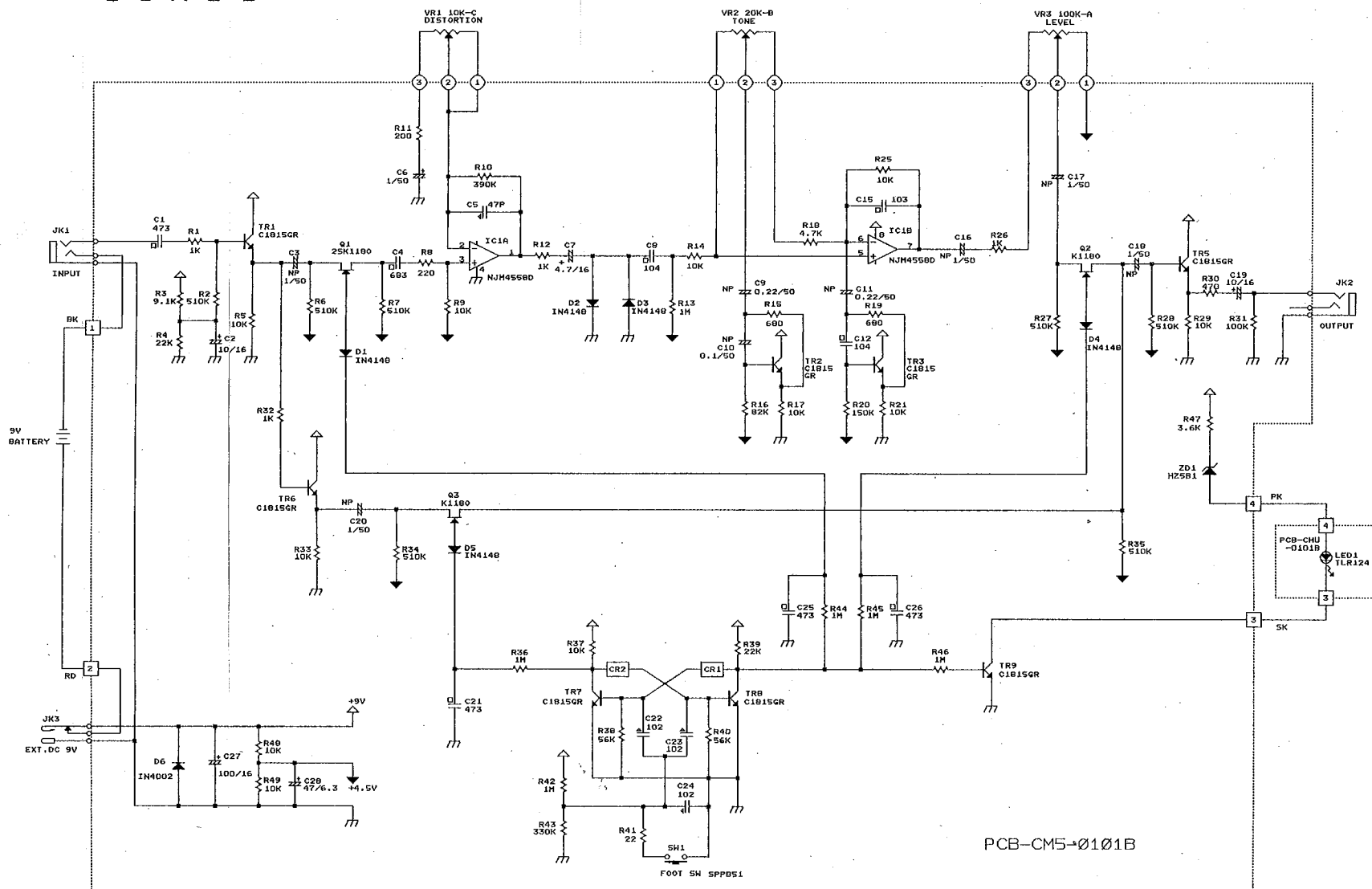
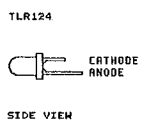
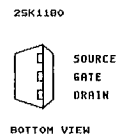
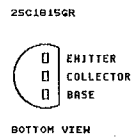
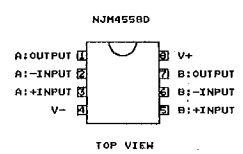


CLASSICMETAL [C M 5]



PCB-CM5-Ø1Ø1B



== color ==

BR	Brown
RD	Red
OR	Orange
YL	Yellow
GR	Green
BL	Blue
VI	Violet
GY	Gray
WH	White
BK	Black
SK	Sky Blue
LG	Light Green
PK	Pink

== CAUTION ==
This schematic diagram is a normal standard one. The parts rating and/or schematic diagram will be subject to change without notice.

== NOTES ==
 Δ : CERAMIC capacitor.
 □ : FILM capacitor.
 All r(n) capacitors are above 25V rating.
 All r(n) capacitors are above 50V rating.
 BP : BI POLAR capacitor.
 NP : NON POLAR capacitor.
 T : TANTALUM capacitor.
 And all capacitors are ELECTROLYTIC capacitors unless otherwise marked.
 Resistance in ohm, K=Kohm, M=Mohm.
 resistors, 1/4W or 1/8W or 1/2W rating.
 Capacitance in p=PF, u=UF

== PART LIST ==

IC1	: NJM4558D
TR1,2,3,5	: 25C1815GR
Q1,2,3	: 25K1180
D1,2,3,4,5	: IN4148
D6	: IN4002
D7	: HZ581
LED1	: TLR124