

1 2 3 4 5 6 7 8 9 10 11 12 13 14 15 16 17 18 19 20 21 22 23 24 25 26 27 28 29 30 31 32 33 34 35 36 37 38 39 4

A
B
C
D
E
F
G
H
I
J
K
L
M
N
O
P
Q
R
S
T
U
V

MT BOARD

Assy 7318152000
(pcb 22930507 1/3)

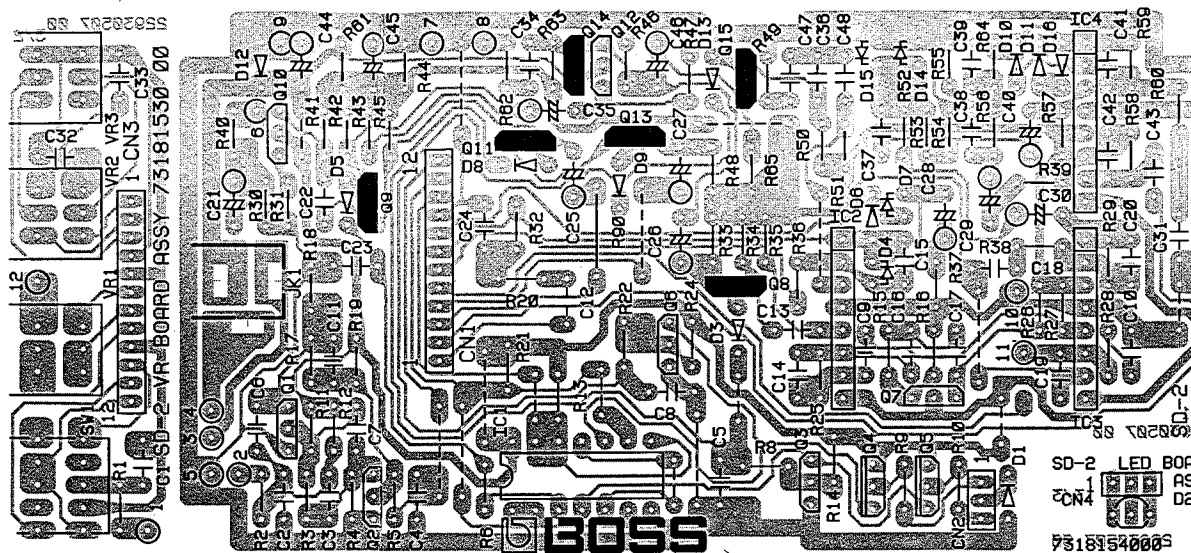
NOTE

Replacement MT Board Assy includes VR Board Assy and LED Board Assy.
補修用MT Board AssyはVR Board AssyとLED Board Assyを含みます。
VR Board Assy (pcb 22930509 2/2)
LED Board Assy (pcb 22930507 3/3)

VR Board Assy
(pcb 22930507 2/3)

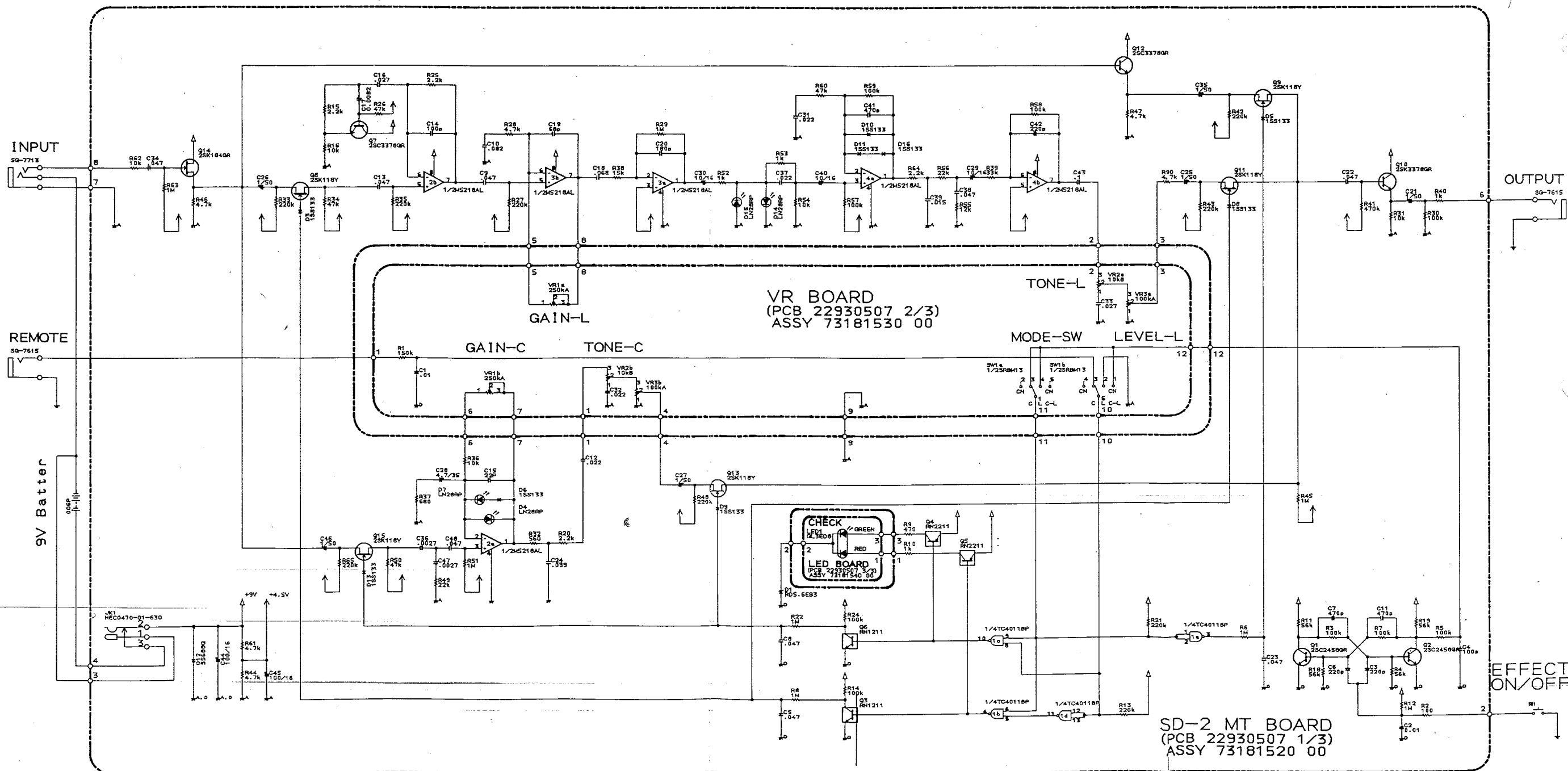
MT BOARD
(pcb 22930507 1/3)

LED Board Assy
(pcb 22930507 3/3)



View from component side.

CIRCUIT DIAGRAM/回路図



SD-2 MT BOARD
(PCB 22930507 1/3)
ASSY 73181520 00