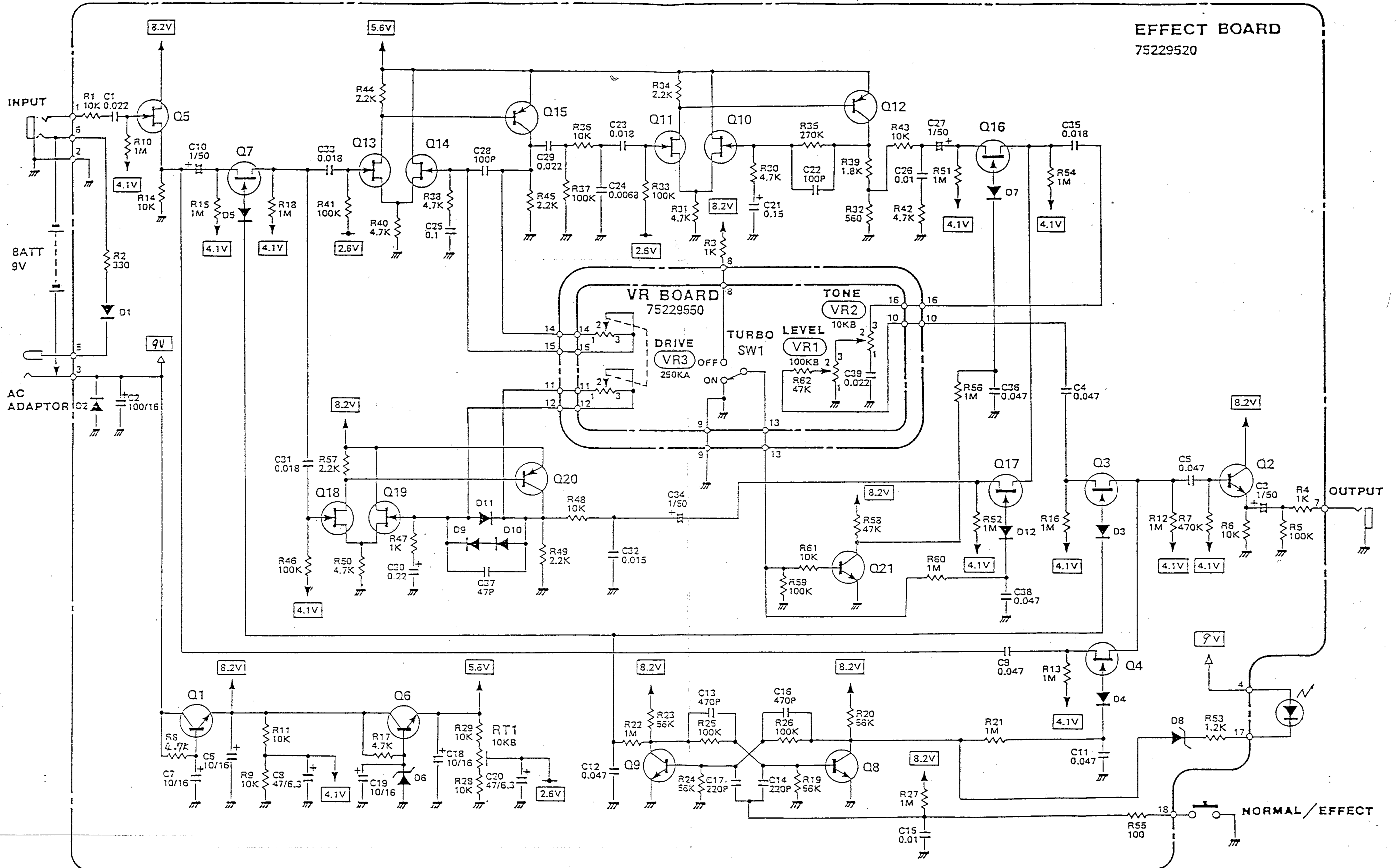


# CIRCUIT DIAGRAM

## EFFECT BOARD 75229520



D1,3-5,7,9-12	1SS-133	Q1,6,8,9,21	2SC945-P
D2	S5500G	Q3,4,7,16,17	2SK30A-Y
D6	RD6.2JB-2	Q5,10,11,13,14,18,19	2SK117-GR
D8	MTZ5.6	Q12,15,20	2SA970-GR
		Q2	2SC2240-GR

*OD2  
Boss*