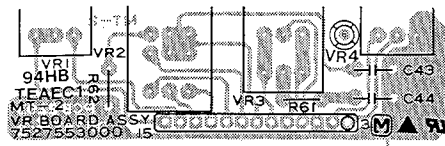


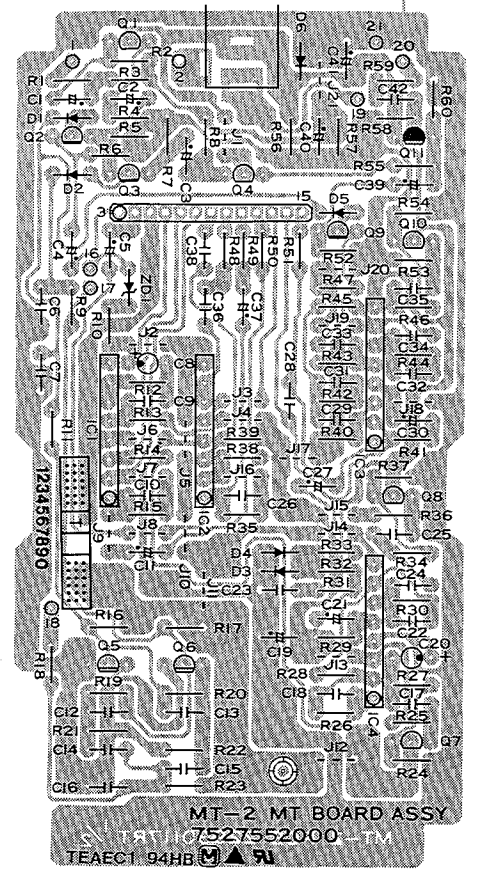
1 2 3 4 5 6 7 8 9 10 11 12 13 14 15 16 17 18 19 20 21 22 23 24 25 26 27 28 29 30 31 32 33 34 35 36 37 38 39 4

MT BOARD

Assy 75275252000
(pcb 22930117RT 1/2)



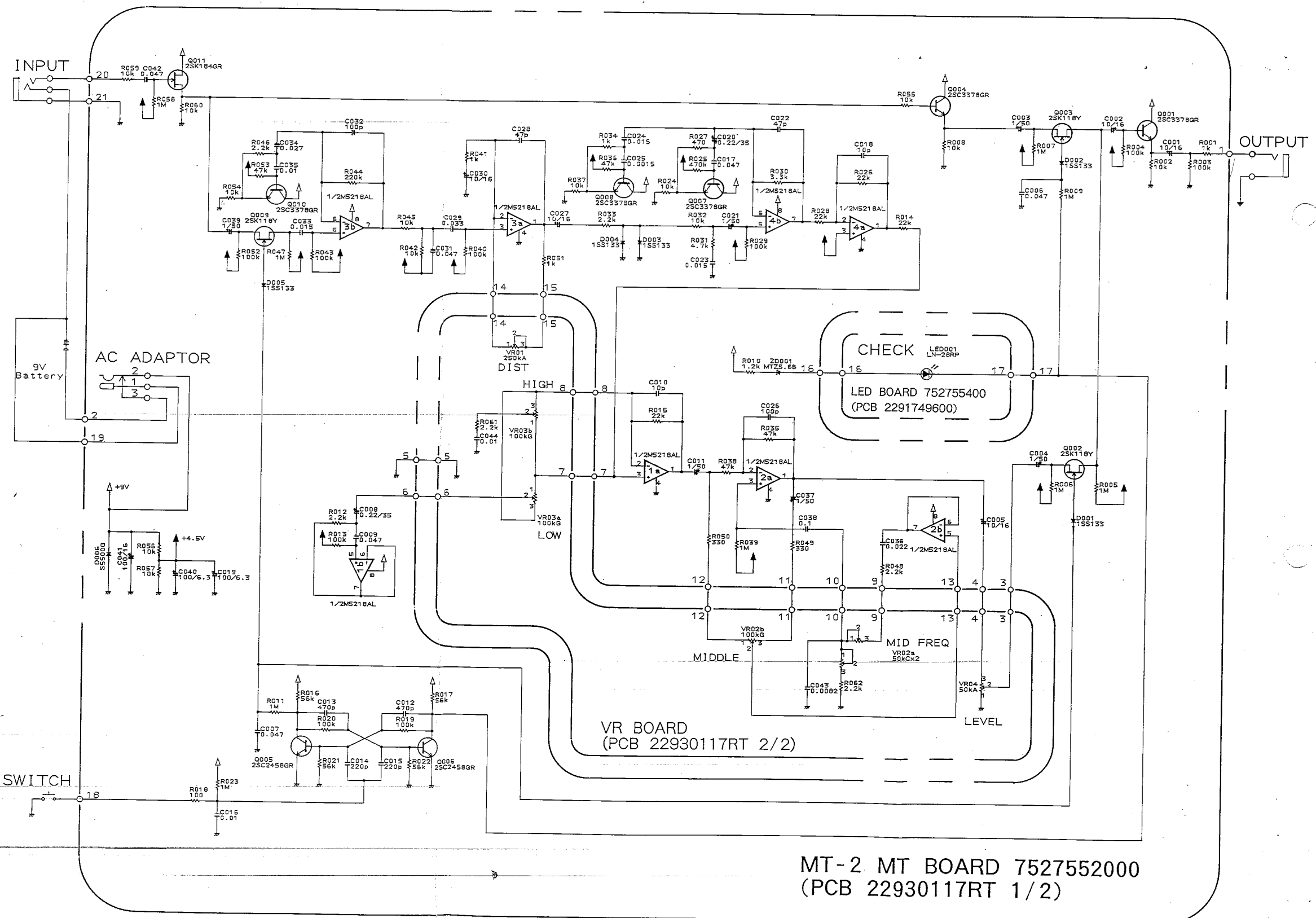
← **VR BOARD**
(pcb 22930117RT 2/2)



↑ View from component side.

MT BOARD
(pcb 22930117RT 1/2)

CIRCUIT DIAGRAM



MT-2 MT BOARD 752752000
(PCB 22930117RT 1/2)