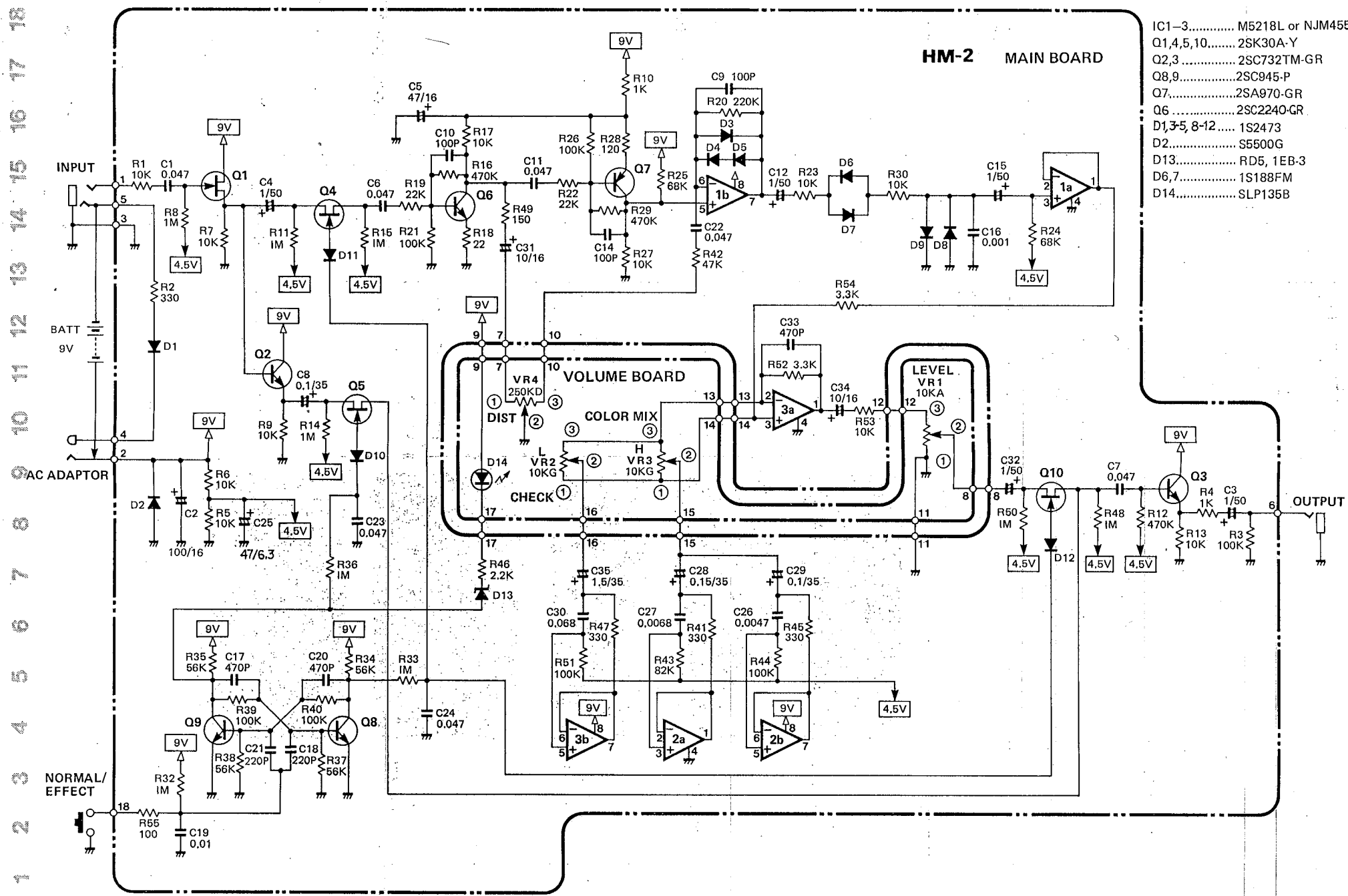


CIRCUIT DIAGRAM

HM-2 MAIN BOARD

- IC1-3..... M5218L or NJM4558S
- Q1,4,5,10..... 2SK30A-Y
- Q2,3..... 2SC732TM-GR
- Q8,9..... 2SC945-P
- Q7..... 2SA970-GR
- Q6..... 2SC2240-GR
- D1,3-5,8-12..... 1S2473
- D2..... S5500G
- D13..... RD5, 1EB-3
- D6,7..... 1S188FM
- D14..... SLP135B



18
17
16
15
14
13
12
11
10
9
8
7
6
5
4
3
2
1

A B C D E F G H I J K L M N O P Q R S T